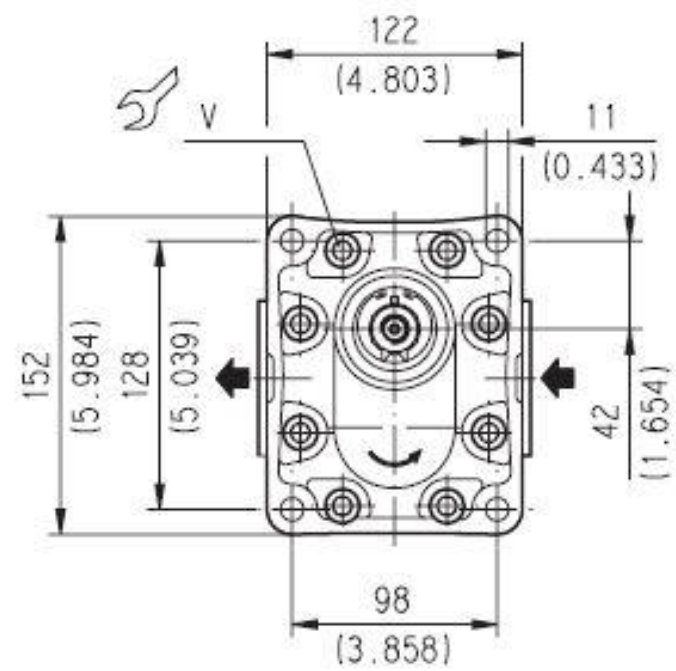


Pump type	Displacement	Max. pressure			Max. speed	Min. speed
		P ₁	P ₂	P ₃		
	in ³ /rev (cm ³ /rev)	psi (bar)			min ⁻¹	
KP 30•27	1.63 (26,7)	4060 (280)	4350 (300)	4495 (310)	3000	350
KP 30•34	2.11 (34,56)	3770 (260)	4060 (280)	4350 (300)	3000	350
KP 30•38	2.40 (39,27)	3770 (260)	4060 (280)	4350 (300)	3000	350
KP 30•43	2.68 (43,98)	3625 (250)	3915 (270)	4205 (290)	3000	350
KP 30•51	3.16 (51,83)	3335 (230)	3625 (250)	3915 (270)	2500	350
KP 30•56	3.45 (56,54)	3118 (215)	3408 (235)	3698 (255)	2500	350
KP 30•61	3.74 (61,26)	2900 (200)	3190 (220)	3480 (240)	2500	350
KP 30•73	4.50 (73,82)	2610 (180)	2900 (200)	3190 (220)	2500	350



EUROPEAN TAPERED 1:8

83

Not available with size:

30•82 - 30•90

Mounting face refer to flange code E3

