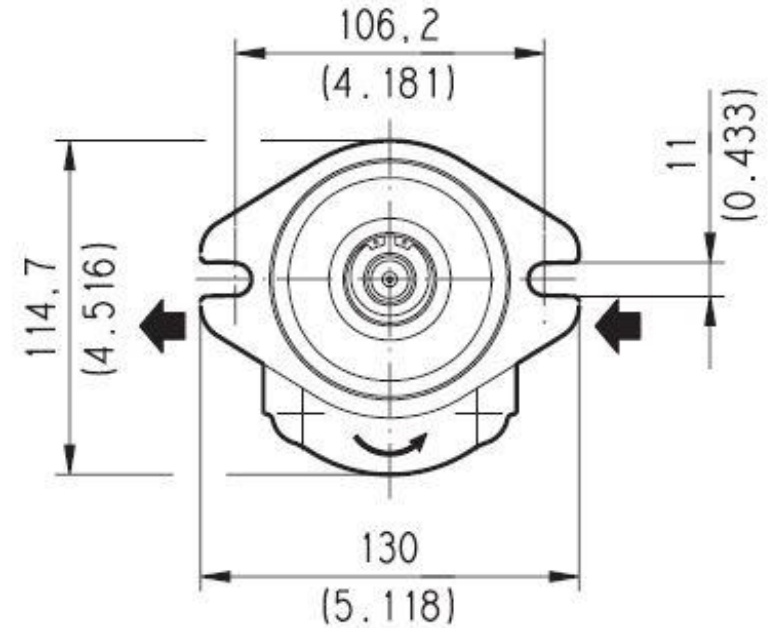


Pump type	Displacement	Max. pressure			Max. speed	Min. speed
		P ₁	P ₂	P ₃		
	in ³ /rev (cm ³ /rev)	psi (bar)			min ⁻¹	
KP 20•4	0.30 (4,95)	4133 (285)	4350 (300)	4785 (330)	4000	350
KP 20•6,3	0.40 (6,61)	4133 (285)	4350 (300)	4785 (330)	4000	350
KP 20•8	0.50 (8,26)	4133 (285)	4350 (300)	4785 (330)	3500	350
KP 20•11,2	0.69 (11,23)	3988 (275)	4205 (290)	4640 (320)	3500	350
KP 20•14	0.89 (14,53)	3843 (265)	4205 (290)	4640 (320)	3500	350
KP 20•16	1.03 (16,85)	3770 (260)	4205 (290)	4640 (320)	3000	300
KP 20•20	1.29 (21,14)	3045 (210)	3335 (230)	3625 (250)	3000	300
KP 20•25	1.61 (26,42)	2610 (180)	2900 (200)	3190 (220)	2500	300
KP 20•31,5	2.01 (33,03)	2030 (140)	2320 (160)	2610 (180)	2000	300



SAE "A" SPLINE

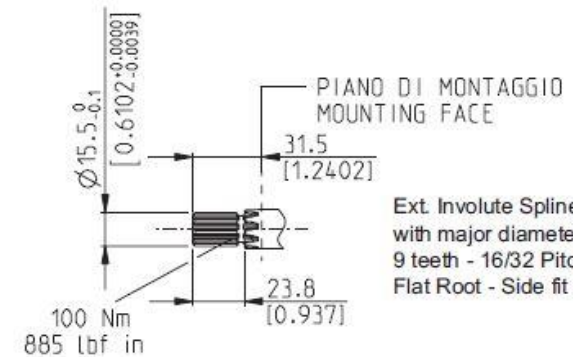
03

Not available with size:

20•24,5 - 20•27,8

Mounting face refer to flange code S1

DCAT_033_005_27719828



Ext. Involute Spline SAE J498B
with major diameter modified
9 teeth - 16/32 Pitch - 30 deg
Flat Root - Side fit - Class 1