

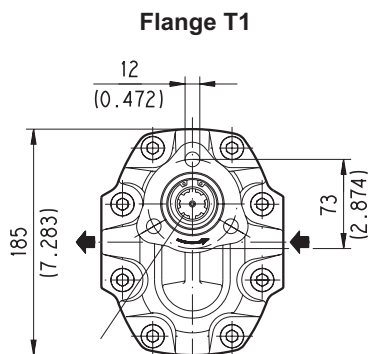
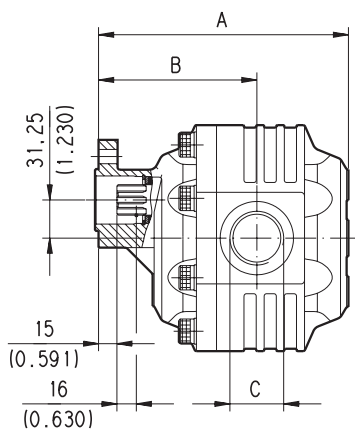
FORMULA 40

HYDRAULIC GEAR PUMPS ITALIAN STANDARD

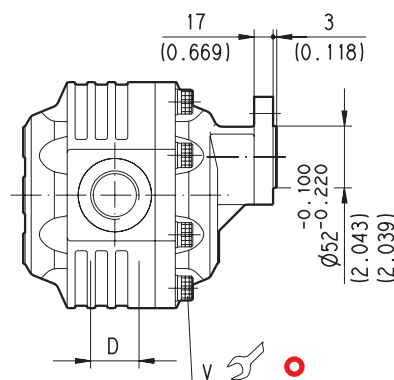
19 T

GAS STRAIGHT THREAD PORTS

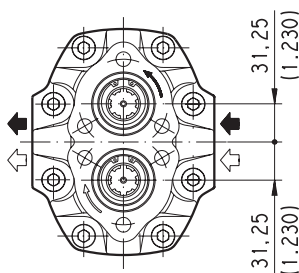
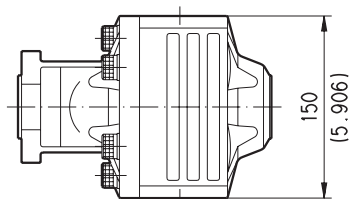
British standard pipe parallel (55°) conforms to UNI - ISO 228



Shaft
UNI 8953 6x21x25 S
MAX. TORQUE 400 Nm
(3540 lbf in)

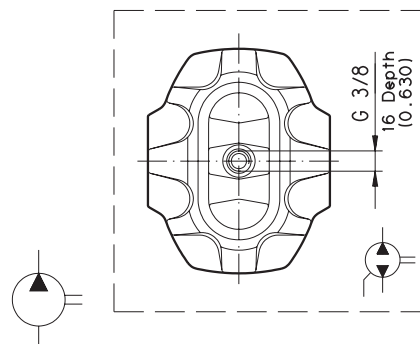


D100-D10/0805



Flange T2

Only for rotation S-D



V Tightening torque Nm (lbf in)

100 ^{±10} (797 ÷ 974)

Pump type		A	B	C	D	Mass	
		mm (in)	mm (in)	IN	OUT	kg (lbs)	
FP 40•63	S D R B	0-19	T1	L GF/GE-N	G 1	G 3/4	16,1 (35.50)
FP 40•73							16,5 (36.38)
FP 40•87				L GG/GF-N	G 1 1/4	G 1	17 (37.49)
FP 40•109							18 (39.69)
FP 40•133				L GH/GF-N	G 1 1/2	G 1	19,5 (43.00)
FP 40•151							20 (44.10)

Rotation: S=left - D=right - R=reversible - B=reversible internal drain

How to order:

FP 40•63 S0 - 19 T1 - L GF/GE - N

01/08.05