

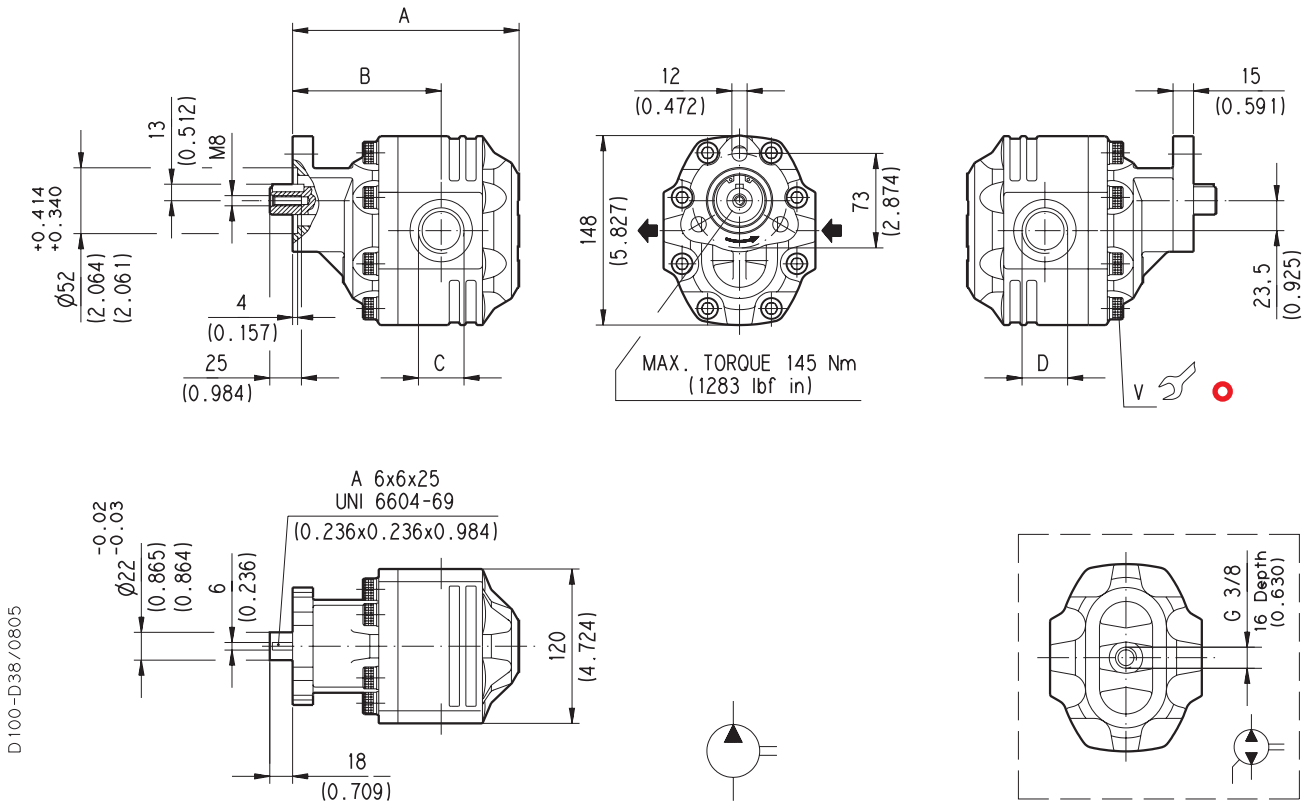
FORMULA 30

HYDRAULIC GEAR PUMPS ITALIAN STANDARD

43 T0

GAS STRAIGHT THREAD PORTS

British standard pipe parallel (55°) conforms to UNI - ISO 228



D 100-D38/0805

V Tightening torque Nm (lbf in)
70 ±7 (558 ÷ 682)

Pump type		A	B	C	D	Mass
		mm (in)	mm (in)	IN	OUT	kg (lbs)
FP 30•61	S	178,5 (7.028)	116,5 (4.587)	G 1	G 1	10,7 (23.59)
FP 30•82	R					11,0 (4.331)
	B	191,5 (7.539)	122,5 (4.823)	G 1 1/4		11 (24.26)

Rotation: S=left - D=right - R=reversible - B=reversible internal drain
 How to order:

FP 30•61 S0 - 43 T0 - L GF/GF - N

01/08.05