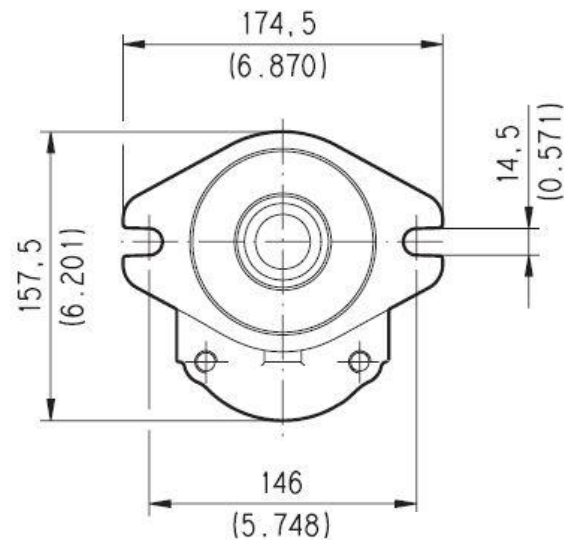
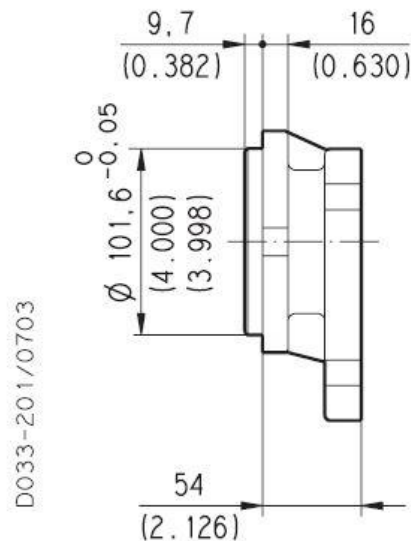


# SAE "B" 2 BOLTS

**S5**

Material: cast iron



Series	Pump type PLP Motor type PLM	Displacement in <sup>3</sup> /rev (cm <sup>3</sup> /rev)	Max. pressure			Max. speed	Min. speed
			p <sub>1</sub>	p <sub>2</sub>	p <sub>3</sub>		
			psi (bar)				

POLARIS 30	PL 30•22	1.34 (21,99)	3625 (250)	3915 (270)	4060 (280)	3000	350
	PL 30•27	1.63 (26,70)	3625 (250)	3915 (270)	4060 (280)	3000	350
	PL 30•34	2.11 (34,55)	3480 (240)	3770 (260)	3915 (270)	3000	350
	PL 30•38	2.40 (39,27)	3480 (240)	3770 (260)	3915 (270)	3000	350
	PL 30•43	2.68 (43,98)	3335 (230)	3625 (250)	3770 (260)	3000	350
	PL 30•51	3.16 (51,83)	3045 (210)	3335 (230)	3480 (240)	2500	350
	PL 30•61	3.74 (61,26)	2755 (190)	3045 (210)	3190 (220)	2500	350
	PL 30•73	4.50 (73,82)	2465 (170)	2755 (190)	2900 (200)	2500	350
	PL 30•82	4.98 (81,68)	2320 (160)	2465 (170)	2610 (180)	2200	350
	PL 30•90	5.56 (91,10)	2175 (150)	2320 (160)	2465 (170)	2200	350

# SAE "B" STRAIGHT

**32**

Mounting face refer to flange code S5

