



Replaces: EP 02 T E

Hydraulic hand pumps

DISPLACEMENTS

From 12 cm³/cycle
To 45 cm³/cycle



MAX PRESSURE

315 bar

- New interchangeable modular design for maximum flexibility
- Same pumping group with or without reservoir
- Suitable for auxiliary or emergency applications

Edition: 03/04.2004



INDEX

Product description	Page 1
Technical data	Page 2
Pump and reservoir selectiono	Page 3
"A" and "B" modular designs".	Page 4
Mounting position of pumps with reservoirs	Page 6
Pumping groups	Page 7
Hand pumps without reservoirs	Page 10
Hand pumps with reservoirs.	Page 12
Support for hand pumps without reservoir	Page 18
Reservoirs	Page 19
Kit and accessories	Page 21
Hand pumps without reservoirs with aluminium body simplified version	Page 23

Replaces: 02/11.2000

○ 03/04.04

○ **Modification from former edition.**

PRODUCT DESCRIPTION

General description

"UpEasy" is a series of double acting hand pumps providing flow in both directions of lever movement.

➤ Modular design

One of the primary characteristics of the new series of "UpEasy" pumps is the modular design.

The modular design of the pumping groups, reservoirs and accessories allow the flexibility to configure the hand pump assembly required for the application.

All pumping groups shown in the following pages can be mounted on a common support or on the reservoirs.

The pumping groups are furnished with the screws and a gasket for sealing to the support or the reservoir.

1) Assembly of the pumping group on the support:

place the "O-Ring" supplied with the support on the pumping group.

2) Assembly of the pumping group on the reservoir:

insert the suction kit on the pumping group.

Section **A** on page 4 addresses points 1 and 2.

To limit the inventory levels all the hand pumps configurations can be made by matching the following kits:

- pumping groups
- suction kit
- reservoirs
- reservoirs capacity kit (cover, gasket and screws)

Section **B** on page 5 addresses this flexibility.

➤ Simplified version ○

In this version the body is obtained from an extruded aluminum bar. This allows to the pump to be more compact and cheaper compared to modular solution.

Replaces: 01/02.2000

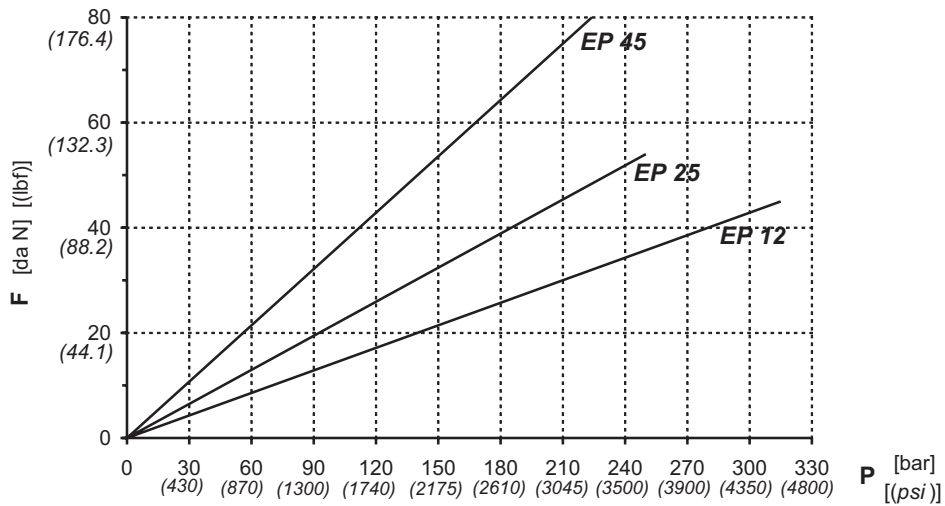
○ 03/04.04

TECHNICAL DATA

Pumping group type		EP 12	EP 25	EP 45
Displacement	[cm ³ /cycle]	12	25	45
Max. pressure	[bar]	315	250	220
Operating temperature	[°C]	-15 + +80		
Fluid		Mineral oil based hydraulic fluids to DIN 51524. For other fluids please consult our sales department.		
Fluid viscosity range at 50 °C	[mm ² /s] [cSt]	12 + 46		

Replaces: 01/02.2000

FORCE - PRESSURE CHART



02/11.2000

F	Force at the end of the standard lever code 06004390	[daN]
P	Pressure	[bar]

PUMP AND RESERVOIR SELECTION

PUMP SELECTION

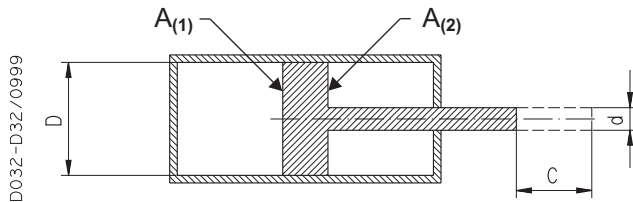
To select the right displacement of the pumping group it is necessary to know :

Piston stroke	C [cm]
Piston diameter	D [cm]
Piston rod diameter	d [cm]
Max. outlet pressure	P [bar]

Choose :

Pump displacement	Q [cm ³ /cycle]
-------------------	----------------------------

Using the formulas listed below you can calculate the number of cycles “n” needed for the piston stroke “C”.



$$A_{(1)} = \frac{\pi D^2}{4} \text{ [cm}^2\text{]}$$

$$A_{(2)} = \frac{\pi D^2}{4} - \frac{\pi d^2}{4} \text{ [cm}^2\text{]}$$

$$n = \frac{A_{(\dots)} C}{Q}$$

From the force-pressure chart in page 2 is possible to see the force needed at the end of the lever.

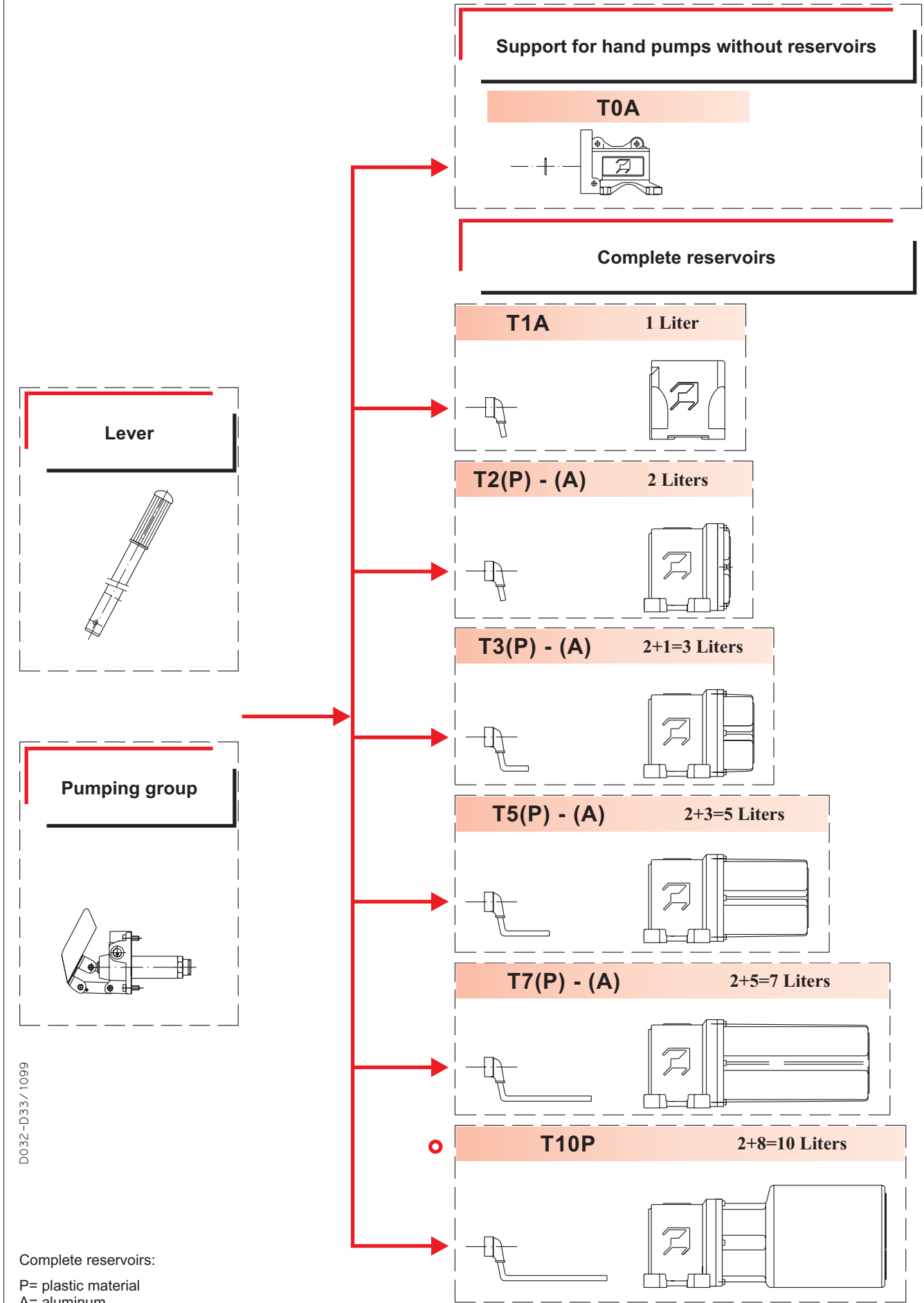
RESERVOIR CHOICE

We recommend the reservoir capacity be 30% greater than the volume of oil needed.

01/02.2000

MODULAR DESIGN - COMPLETE RESERVOIRS

A



Replaces: 01/02.2000

03/04.04

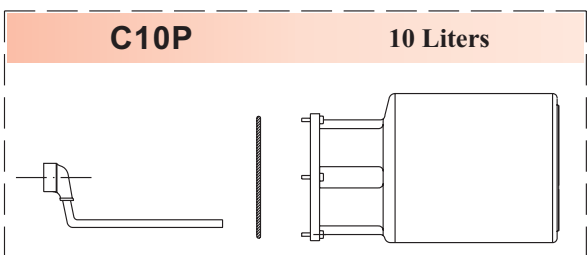
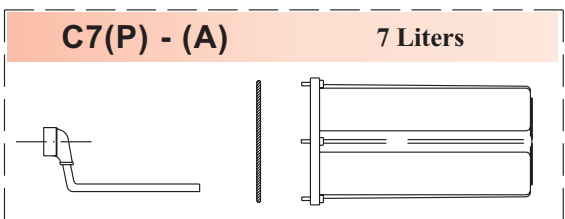
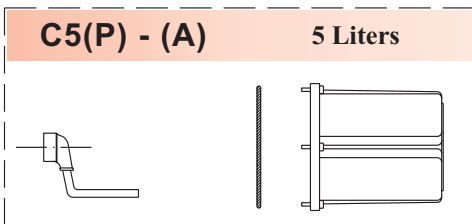
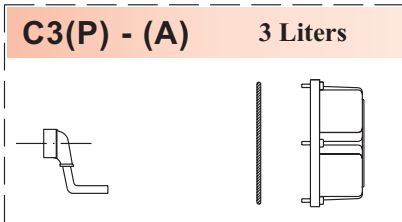
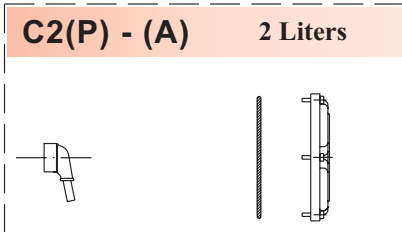
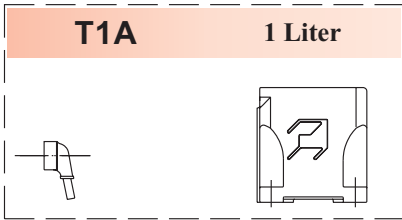
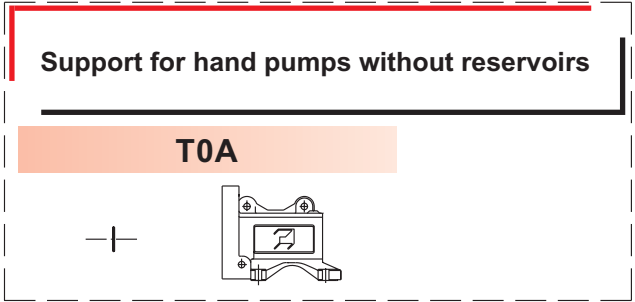
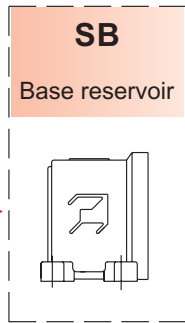
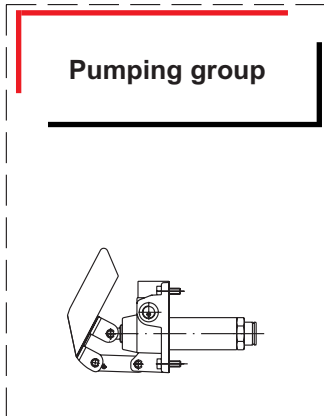
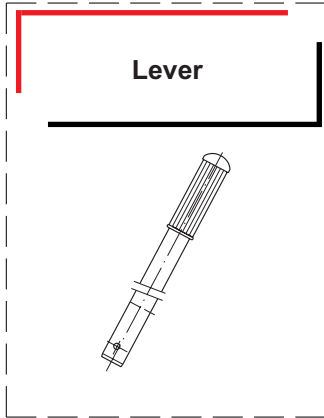
D032-D33/1099

Complete reservoirs:
P= plastic material
A= aluminum

MODULAR DESIGN - RESERVOIRS PARTS

B

Replaces: 01/02.2000



03/04.04

D032-D38/1099

The base reservoir "SB" is aluminum.

Reservoirs parts:
P= plastic material
A= aluminum

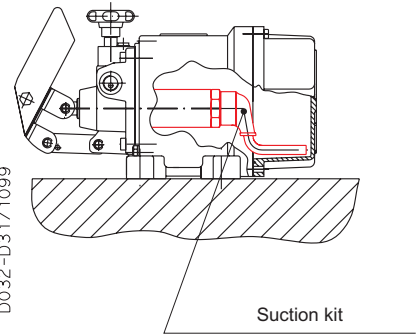
MOUNTING POSITION OF PUMPS WITH RESERVOIRS

Horizontal and/or vertical mounting

Hand pump with **standard** configuration is set with the inlet kit mounted as shown in positions 1 and 2. Such configuration is horizontal or vertical mounting.

POS. 1

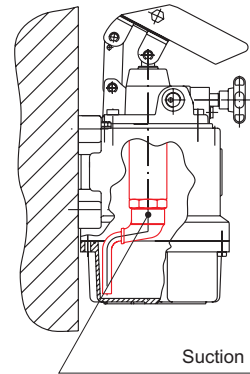
D032-D31 / 1099



Suction kit

POS. 2

D032-D39 / 1099



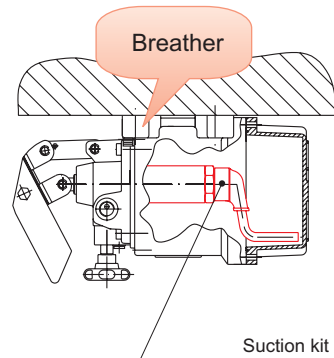
Suction kit

Top mounting.

For this mounting the suction kit has to be turned 180° and the **filling plug position has to be switched with the breather**. For the reservoirs 0.26 US gal capacity order T1A-SF type.

POS. 3

D032-D40 / 1099

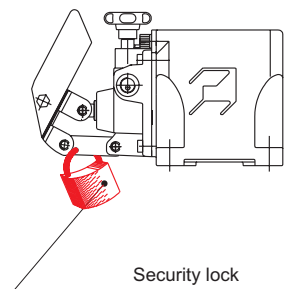


Suction kit

Security lock

For safety reasons, you may lock the handle in place with a padlock to disable the pump

D032-D41 / 1099



Security lock

Replaces: 01/02.2000

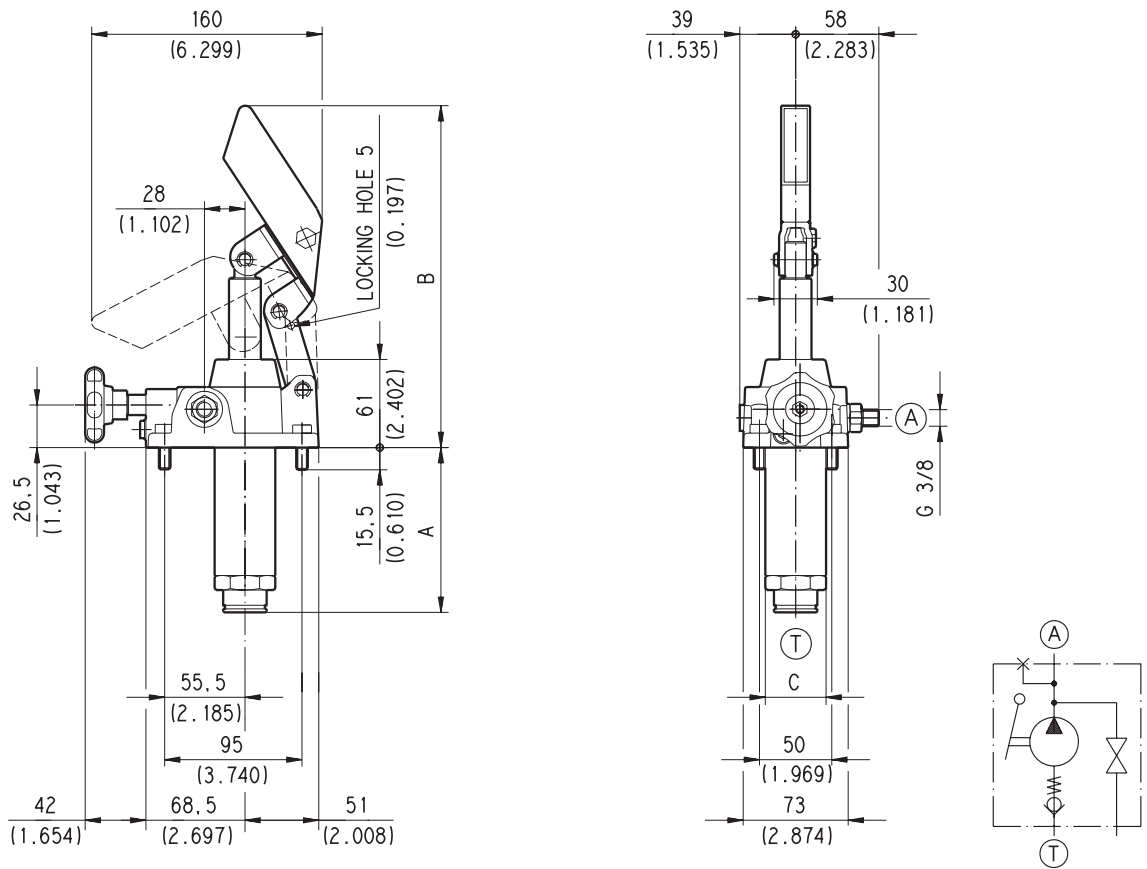
03/04.04

EP.. S - EP.. S V1

PUMPING GROUP WITH BUILT-IN SHUT-OFF VALVE

Replaces: 01/02.2000

D032-D15/1099



Requires the lever code 06004390

How to order	Displacement	Max. pressure	A	B	C	Weight
	[cm ³ /cycle]	[bar]	mm (in)	mm (in)	mm (in)	kg
EP 12 S	12	315	110 (4.331)	219 (8.622)	35 (1.378)	3,40
EP 25 S	25	250	110 (4.331)	229 (9.016)	35 (1.378)	3,40
EP 45 S	45	220	114 (4.488)	237 (9.331)	42 (1.654)	3,70

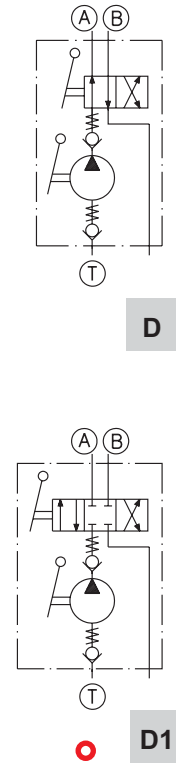
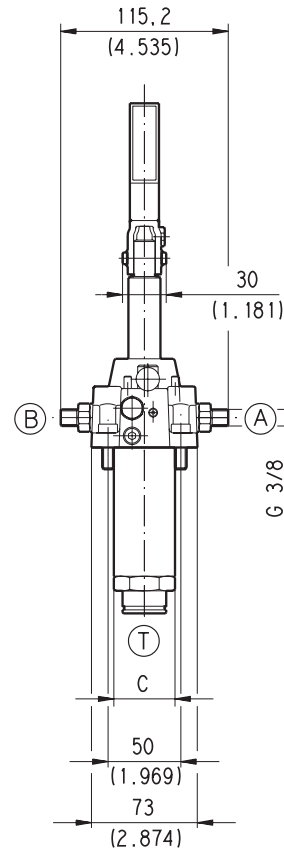
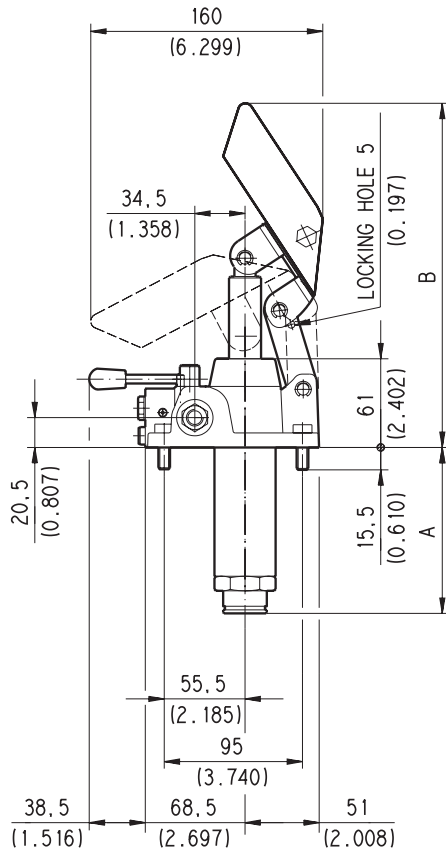
02/11.2000

Pumping group with relief valve built-in - V1 standard setting 140 [bar]

How to order	Relief valve setting	
EP 12 S V1		
EP 25 S V1		
EP 45 S V1		
V1	0-140 [bar]	
V2	70-315 [bar]	
V3(...)	On request relief valve setting	V3 (... [bar]) max. 315 [bar]

EP.. D ..

PUMPING GROUP WITH BUILT-IN 4 WAY CONTROL VALVE



D032-D16/1002

Requires the lever code 06004390

Replaces: 02/11.2000

How to order	Displacement	Max. pressure	A	B	C	Weight
	[cm ³ /cycle]	[bar]	mm (in)	mm (in)	mm (in)	[kg]
EP 12 (◆)	12	315	110 (4.331)	219 (8.622)	35 (1.378)	3,50
EP 25 (◆)	25	250	110 (4.331)	229 (9.016)	35 (1.378)	3,50
EP 45 (◆)	45	220	114 (4.488)	237 (9.331)	42 (1.654)	3,80

Pumping group with relief valve built-in - V1 standard setting 140 [bar]			
How to order	D	D1	
EP 12 (◆) V1			
EP 25 (◆) V1			
EP 45 (◆) V1			
V1	Relief valve setting		0-140 [bar]
V2			70-315 [bar]
V3(...)			V3 (... [bar]) max. 315 [bar]

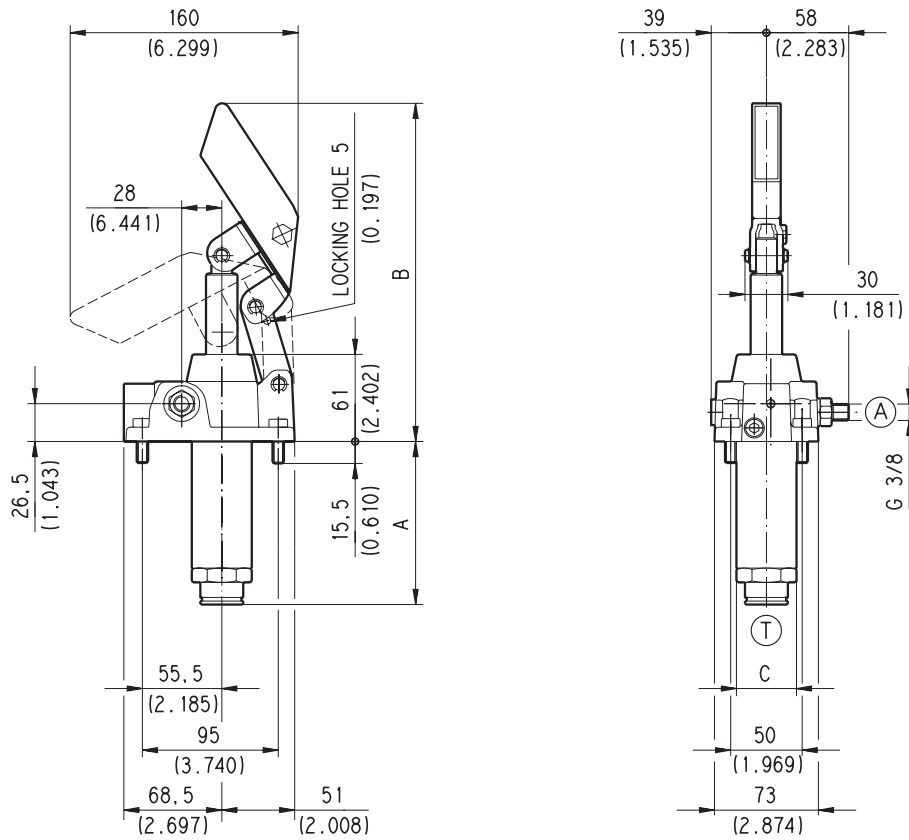
(◆) D= 4 way and 2 positions control valve - D1= 4 Way and 3 positions control valve

◆ 03/04.04

EP.. W

PUMPING GROUP WITHOUT SHUT-OFF VALVE

Replaces: 01/02.2000



D032-D28/1099

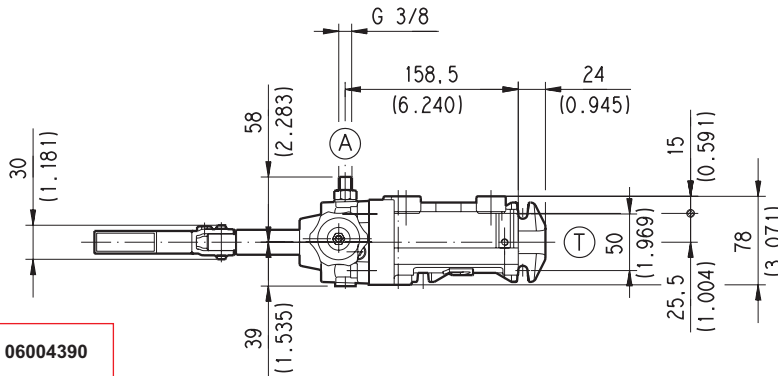
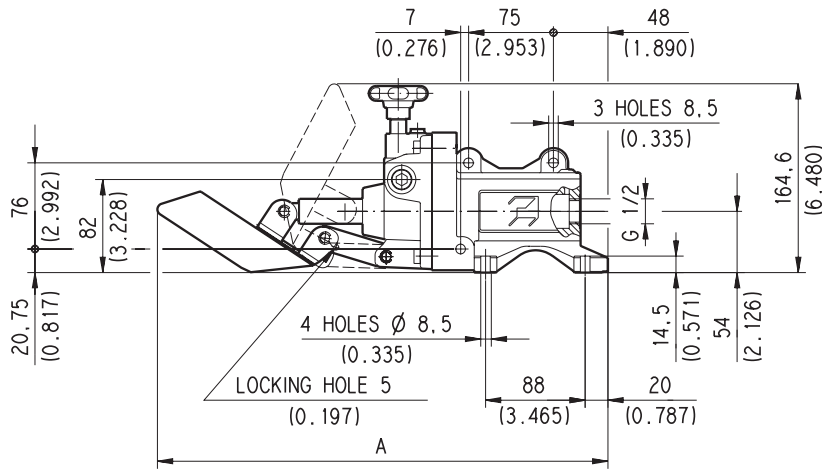
Requires the lever code 06004390

02/11.2000

How to order	Displacement	Max. pressure	A	B	C	Weight
	[cm ³ /cycle]	[bar]	mm (in)	mm (in)	mm (in)	[kg]
EP 12 W	12	315	110 (4.331)	219 (8.622)	35 (1.378)	3,20
EP 25 W	25	250	110 (4.331)	229 (9.016)	35 (1.378)	3,20
EP 45 W	45	220	114 (4.488)	237 (9.331)	42 (1.654)	3,50

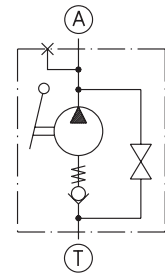
EP.. S/T0A - EP.. S V1/T0A

HAND PUMP WITHOUT RESERVOIR WITH BUILT-IN SHUT-OFF VALVE



D032-D17/1099

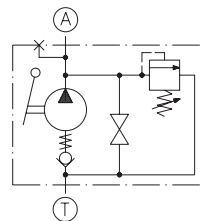
Requires the lever code 06004390



How to order	Displacement	Max. pressure	A	Weight
	[cm ³ /cycle]	[bar]	mm (in)	[kg]
EP 12 S/T0A	12	315	375 (14.764)	4,70
EP 25 S/T0A	25	250	385 (15.157)	4,70
EP 45 S/T0A	45	220	393 (15.472)	5,00

Hand pump with relief valve built-in - V1 standard setting 140 [bar]

How to order	Relief valve setting	
EP 12 S V1/T0A		
EP 25 S V1/T0A		70-315 [bar]
EP 45 S V1/T0A		V3 (... [bar]) max. 315 [bar]
V1	Relief valve setting	0-140 [bar]
V2		70-315 [bar]
V3(...)	On request relief valve setting	V3 (... [bar]) max. 315 [bar]

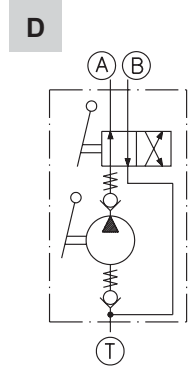
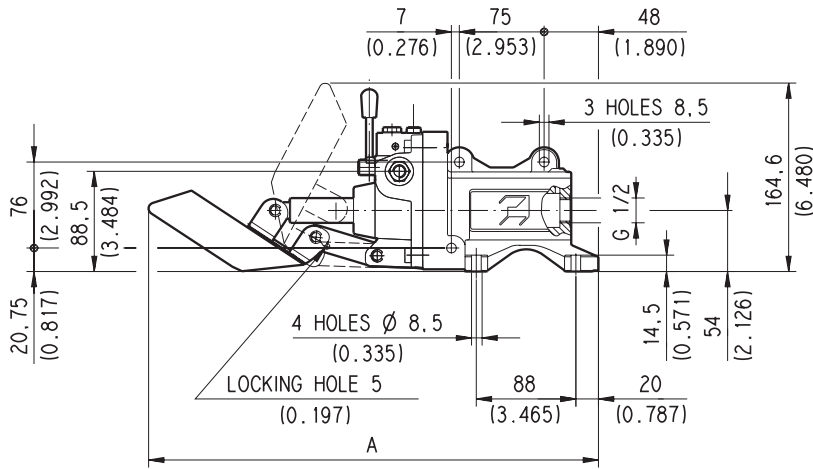


Replaces: 01/02.2000

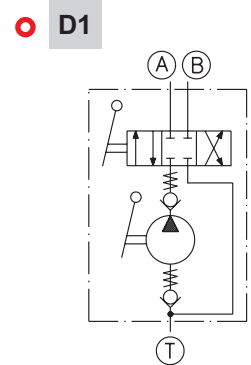
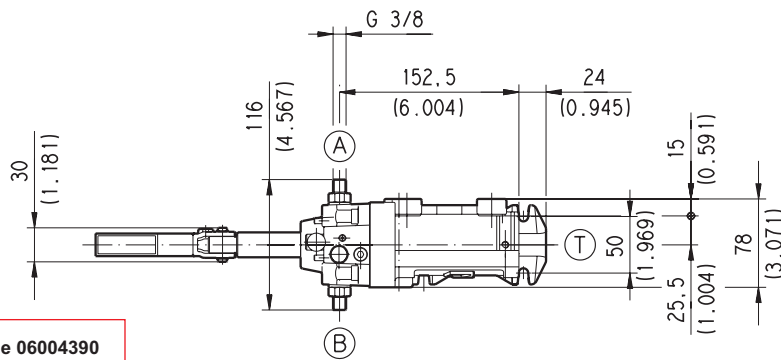
02/11.2000

Replaces: 02/11.2000

HAND PUMP WITHOUT RESERVOIR WITH BUILT-IN 4 WAY CONTROL VALVE
EP.. D/T0A - EP.. D V1/T0A
 Available version L (Ⓐ plugged)



D032-D18/1002



Requires the lever code 06004390

How to order	Displacement	Max. pressure	A	Weight
	[cm ³ /cycle]	[bar]	mm (in)	[kg]
EP 12 (◆) /T0A	12	315	375 (14.764)	4,80
EP 25 (◆) /T0A	25	250	385 (15.157)	4,80
EP 45 (◆) /T0A	45	220	393 (15.472)	5,10

03/04.04

Hand pump with relief valve built-in - V1 standard setting 140 [bar]

How to order	D	D1	Relief valve setting
EP 12 (◆) V1/T0A			0-140 [bar]
EP 25 (◆) V1/T0A			70-315 [bar]
EP 45 (◆) V1/T0A			V3 (... [bar]) max. 315 [bar]
V1			0-140 [bar]
V2			70-315 [bar]
V3(...)	On request relief valve setting		V3 (... [bar]) max. 315 [bar]

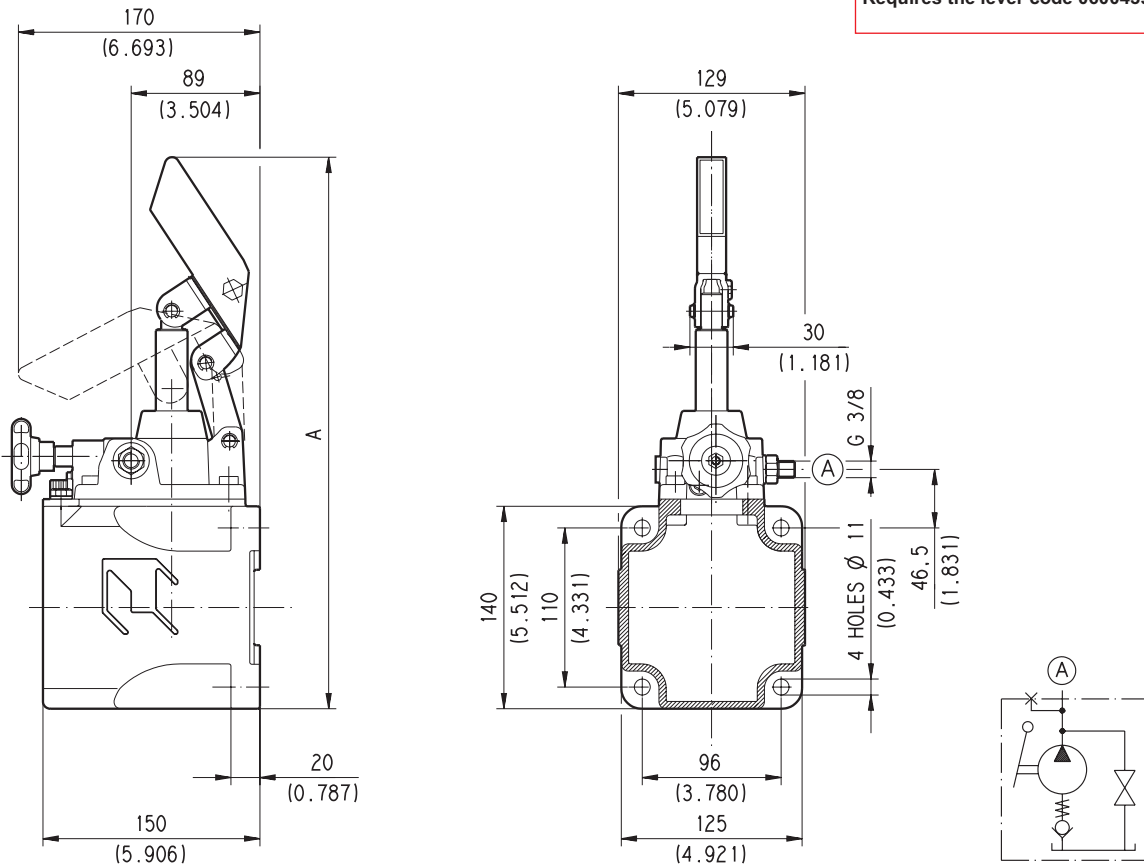
(◆) D= 4 way and 2 positions control valve - D1= 4 Way and 3 positions control valve

EP.. S/T1A - EP.. S V1/T1A

HAND PUMP WITH RESERVOIR 1 LITER CAPACITY WITH BUILT-IN SHUT-OFF VALVE

Requires the lever code 06004390

D032-D19/1099



Replaces: 01/02.2000

How to order	Displacement	Max. pressure	A	Weight
	[cm ³ /cycle]	[bar]	mm (in)	[kg]
EP 12 S/T1A	12	315	364 (14.331)	5,00
EP 25 S/T1A	25	250	374 (14.724)	5,00
EP 45 S/T1A	45	220	382 (15.039)	5,30

Hand pump with relief valve built-in - V1 standard setting 140 [bar]

How to order	Relief valve setting	
EP 12 S V1/T1A		
EP 25 S V1/T1A	70-315 [bar]	
EP 45 S V1/T1A	V3 (... [bar]) max. 315 [bar]	
V1		
V2		
V3(...)	On request relief valve setting	

The reservoir is available only in aluminum .

02/11.2000

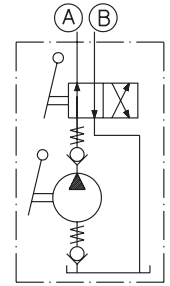
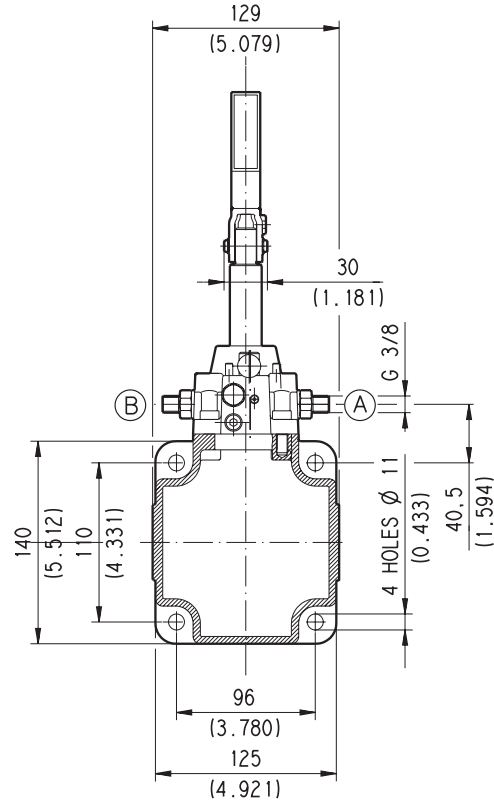
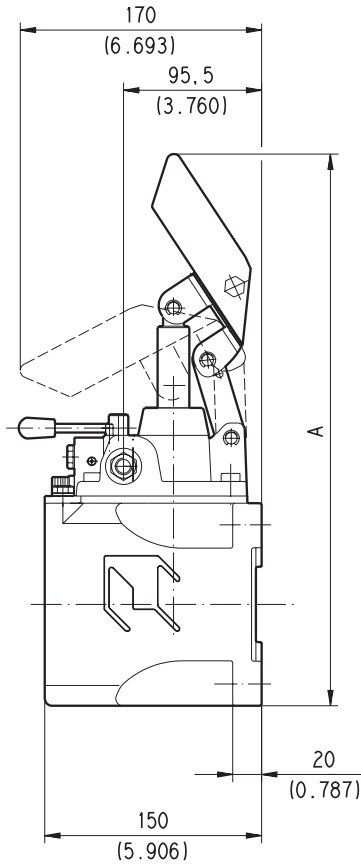
EP.. D/T1A - EP.. D V1/T1A

HAND PUMP WITH RESERVOIR 1 LITER CAPACITY WITH BUILT-IN 4 WAY CONTROL VALVE

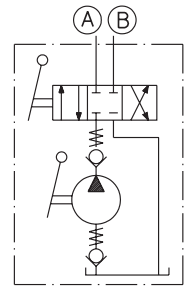
Replaces: 02/11.2000

D032-D20/1002

Requires the lever code 06004390



D

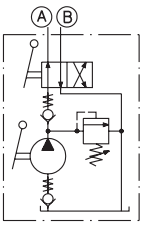
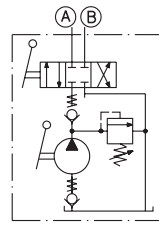


D1

How to order	Displacement	Max. pressure	A	Weight
	[cm ³ /cycle]	[bar]	mm (in)	[kg]
EP 12 (◆) /T1A	12	315	364 (14.331)	5,10
EP 25 (◆) /T1A	25	250	374 (14.724)	5,10
EP 45 (◆) /T1A	45	220	382 (15.039)	5,40

◆ 03/04.04

Hand pump with relief valve built-in - V1 standard setting 140 [bar]

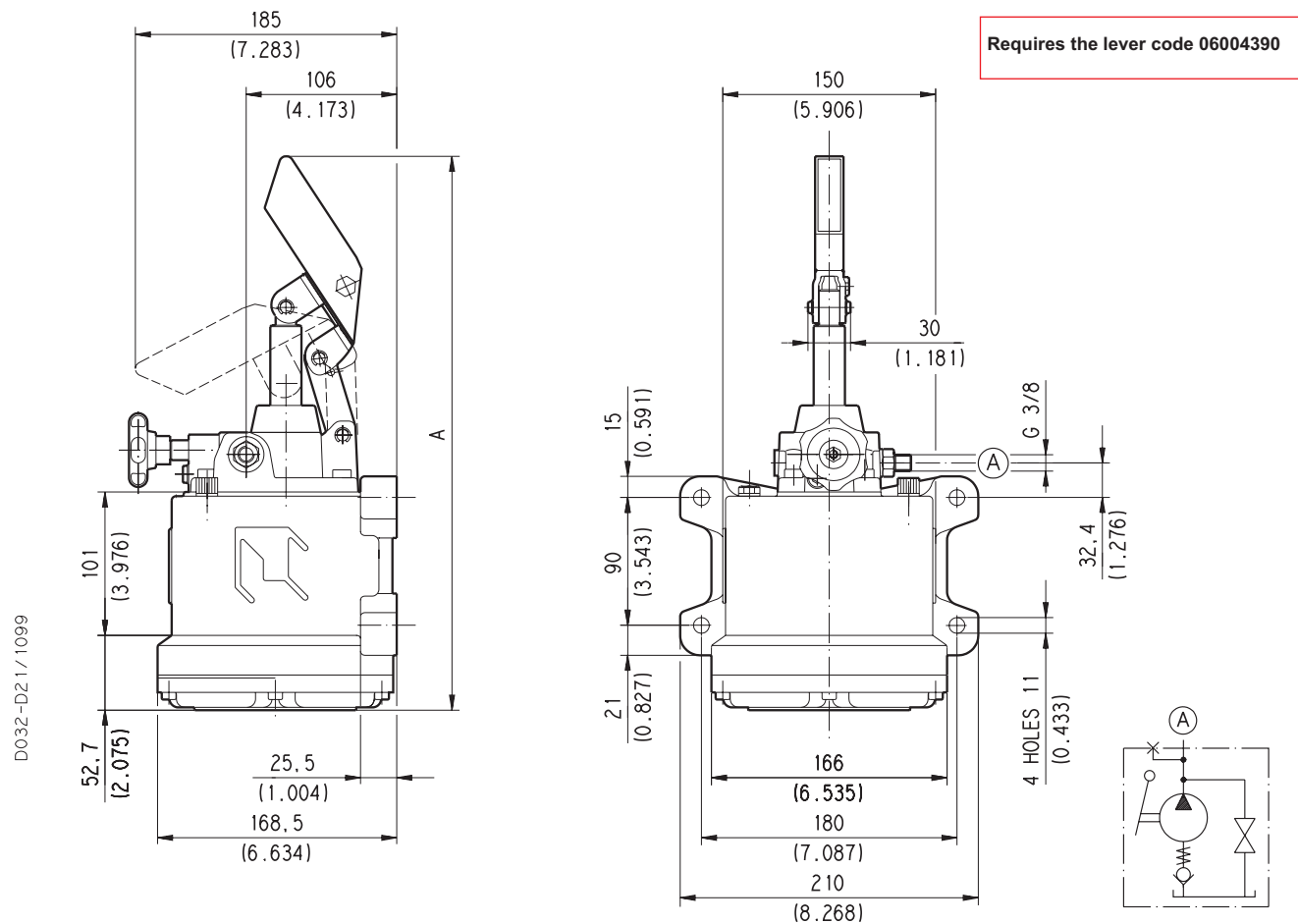
How to order	 		
EP 12 (◆) V1/T1A	D	D1	
EP 25 (◆) V1/T1A			
EP 45 (◆) V1/T1A			
V1	Relief valve setting		0-140 [bar]
V2			70-315 [bar]
V3(...)	On request relief valve setting		V3 (... [bar]) max. 315 [bar]

(◆) D= 4 way and 2 positions control valve - D1= 4 Way and 3 positions control valve

The reservoir is available only in aluminum .

EP.. S/T2P - EP.. S V1/T2P

HAND PUMP WITH RESERVOIR 2 LITERS CAPACITY WITH BUILT-IN SHUT-OFF VALVE



Sostituisce: 02/11.2000

How to order	Displacement	Max. pressure	A	Weight
	[cm ³ /cycle]	[bar]	mm (in)	[kg]
EP 12 S/T2P	12	315	374,7 (14.752)	5,90
EP 25 S/T2P	25	250	384,7 (15.146)	5,90
EP 45 S/T2P	45	220	392,7 (15.461)	6,20

Hand pump with relief valve built-in - V1 standard setting 140 [bar]

How to order	Relief valve setting	0-140 [bar]
EP 12 S V1/T2P		
EP 25 S V1/T2P		
EP 45 S V1/T2P		
V1	On request relief valve setting	V3 (... [bar]) max. 315 [bar]
V2		
V3(...)		

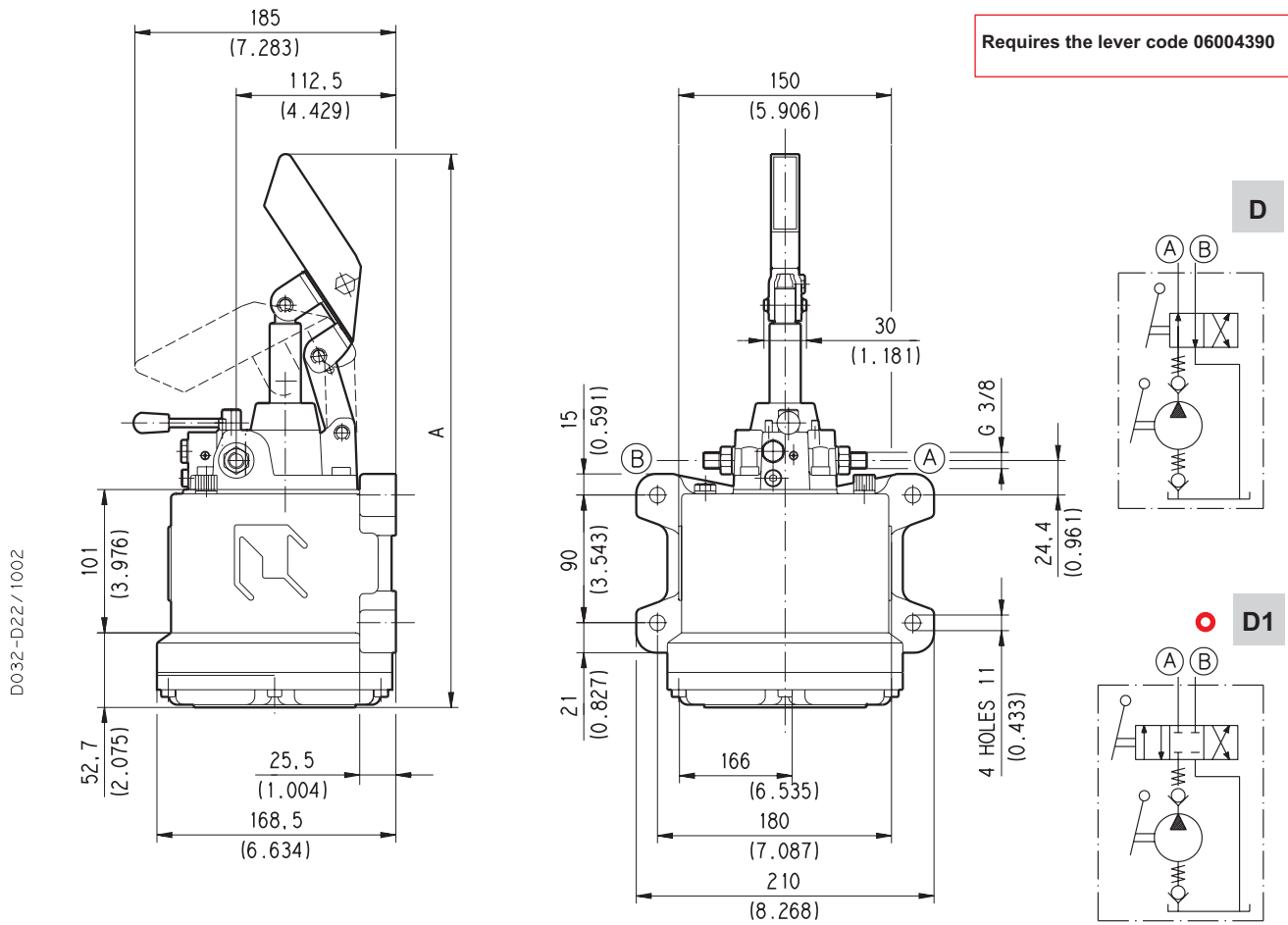
Il serbatoio è disponibile in materiale plastico o in alluminio (dimensioni a pag. 19).
Per richiedere quello in alluminio sostituire la P con A (ex. T2A)

03/11.2002

EP.. D/T2P - EP.. D V1/T2P

HAND PUMP WITH RESERVOIR 2 LITERS CAPACITY WITH BUILT-IN 4 WAY CONTROL VALVE

Replaces: 02/11.2000



How to order	Displacement	Max. pressure	A	Weight
	[cm ³ /cycle]	[bar]	mm (in)	[kg]
EP 12 (◆) /T2P	12	315	374,7 (14.752)	6,00
EP 25 (◆) /T2P	25	250	384,7 (15.146)	6,00
EP 45 (◆) /T2P	45	220	392,7 (15.461)	6,30

03/04.04

Hand pump with relief valve built-in - V1 standard setting 140 [bar]

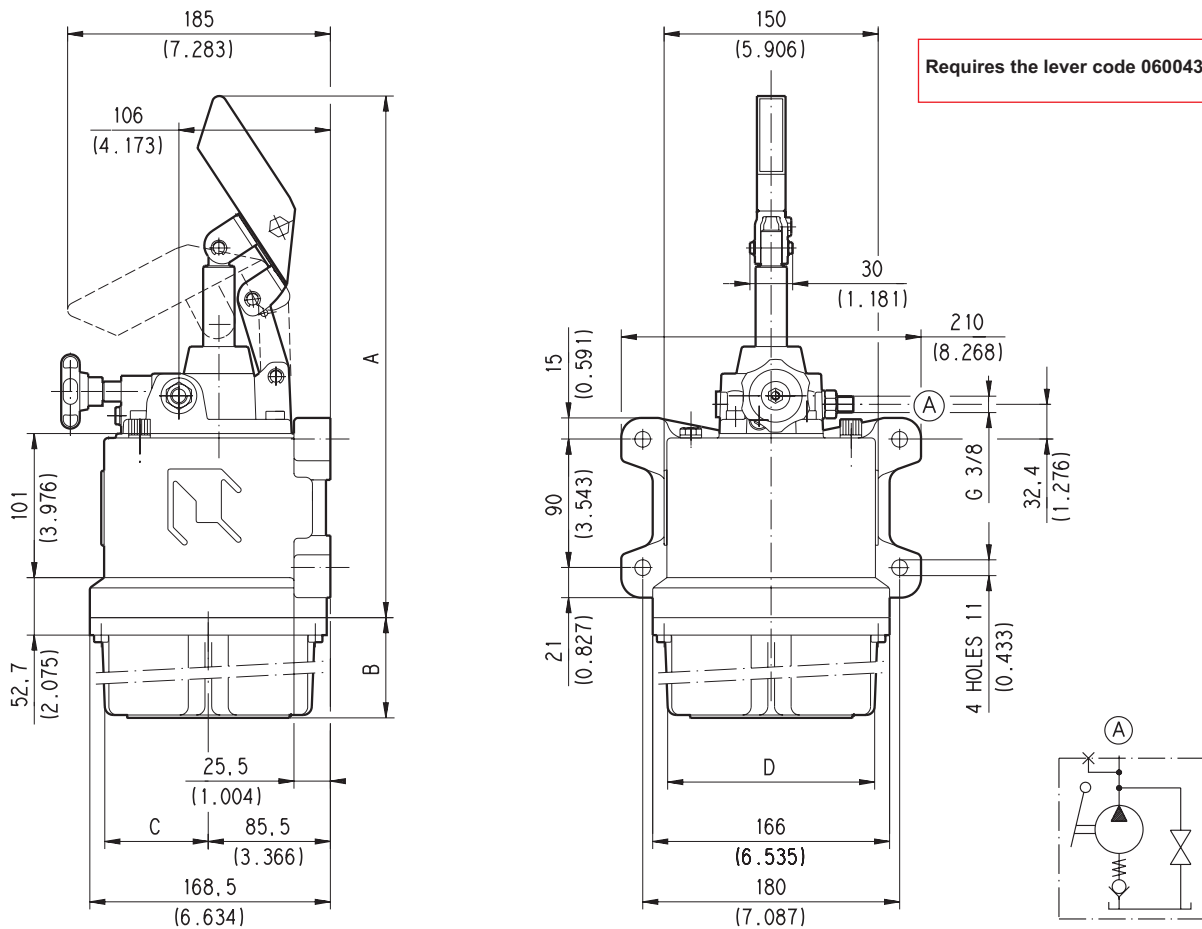
How to order		
EP 12 (◆) V1/T2P	D	D1
EP 25 (◆) V1/T2P		
EP 45 (◆) V1/T2P		
V1	Relief valve setting	
V2		
V3(...)	On request relief valve setting	
		0-140 [bar]
		70-315 [bar]
		V3 (... [bar]) max. 315 [bar]

(◆) D= 4 way and 2 positions control valve - D1= 4 Way and 3 positions control valve

The reservoir is available in plastic P or aluminum A (dimensions on page 19).
To order the reservoir in aluminum replace the letter P with A (ex. T2A)

EP.. S/T..P - EP.. S V1/T..P

HAND PUMP WITH RESERVOIR 3-5-7-10 LITERS CAPACITY WITH BUILT-IN SHUT-OFF VALVE



D032-D23/1099

Replaces: 02/11.2002

How to order	Displacement [cm ³ /cycle]	Max. pressure [bar]	A mm (in)	Weight [kg]						
				T3P	T3A	T5P	T5A	T7P	T7A	T10P
EP 12..	12	315	350 (13.780)	6,00	6,80	6,20	7,50	6,50	8,70	7,30
EP 25..	25	250	360 (14.173)	6,00	6,80	6,20	7,50	6,50	8,70	7,30
EP 45..	45	220	368 (14.488)	6,30	7,10	6,50	7,80	6,80	9,00	7,60

Reservoir								
Capacity	3 [ℓ]		5 [ℓ]		7 [ℓ]		10 [ℓ]	
Material	Plastic	Aluminm	Plastic	Aluminm	Plastic	Aluminm	Plastic	
B	mm	70	72,5	174	185	290	322,5	275
	(in)	(2.756)	(2.854)	(6.850)	(7.284)	(11.417)	(12.697)	(10.827)
C	mm	72,25	67,5	72,25	67,5	72,25	67,5	112
	(in)	(2.844)	(2.658)	(2.844)	(2.658)	(2.844)	(2.658)	(4.409)
D	mm	144,5	135	144,5	135	144,5	135	208
	(in)	(5.689)	(5.315)	(5.689)	(5.315)	(5.689)	(5.315)	(8.189)

Hand pump with reservoir							
EP 12 S/...	T3P	T3A	T5P	T5A	T7P	T7A	T10P
EP 25 S/...	T3P	T3A	T5P	T5A	T7P	T7A	T10P
EP 45 S/...	T3P	T3A	T5P	T5A	T7P	T7A	T10P

Hand pump with reservoir and relief valve V1 (standard setting 140 [bar])							
EP 12 S V1/...	T3P	T3A	T5P	T5A	T7P	T7A	T10A
EP 25 S V1/...	T3P	T3A	T5P	T5A	T7P	T7A	T10A
EP 45 S V1/...	T3P	T3A	T5P	T5A	T7P	T7A	T10A

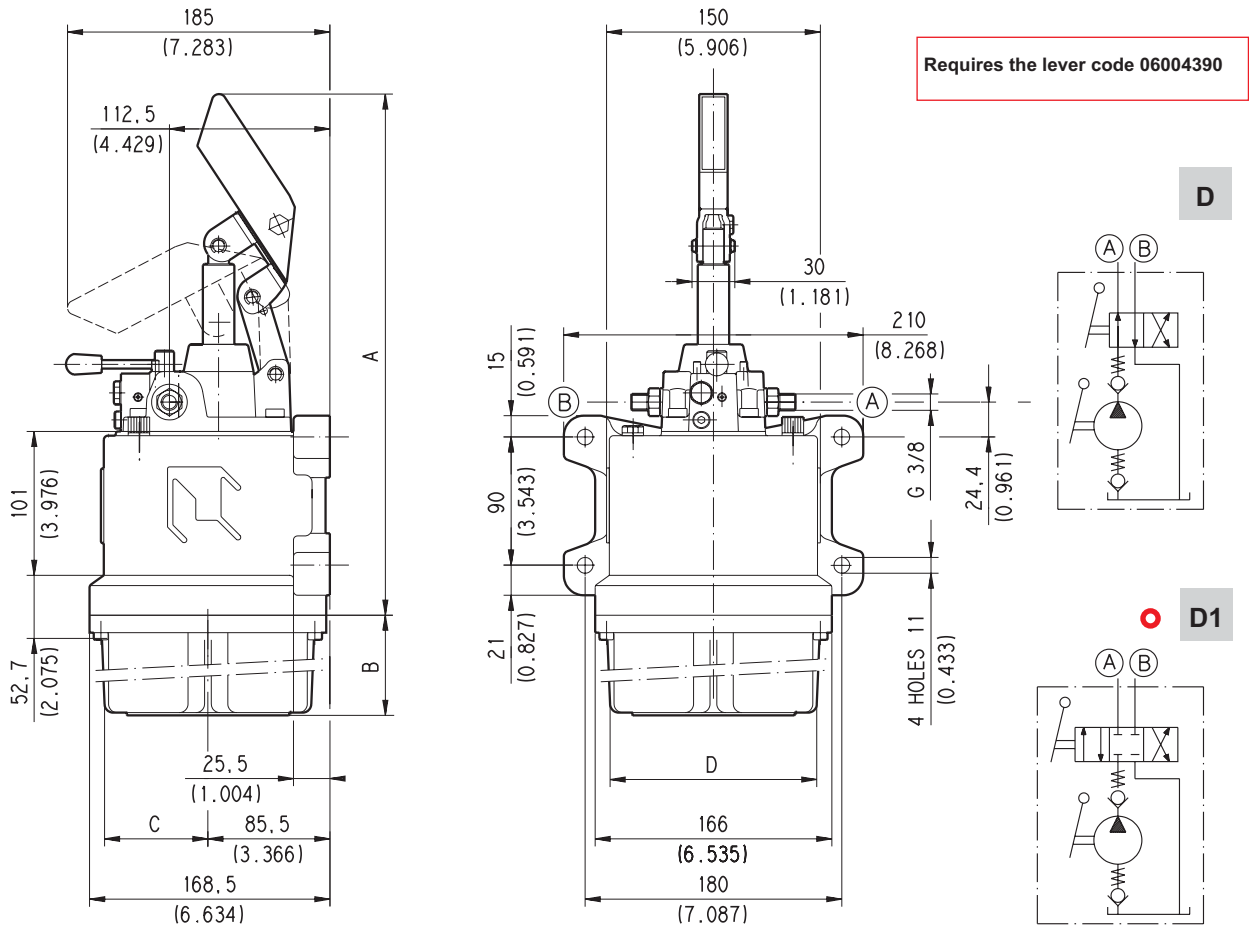
03/04.04

EP.. D/T..P - EP.. D V1/T..P

**HAND PUMP WITH RESERVOIR 3-5-7-10 LITERS
CAPACITY WITH BUILT-IN 4 WAY CONTROL VALVE**

Replaces: 02/11.2000

D032-D24/1002



How to order	Displacement [cm ³ /cycle]	Max. pressure [bar]	A mm (in)	Weight [kg]						
				T3P	T3A	T5P	T5A	T7P	T7A	T10P
EP 12..	12	315	350 (13.780)	6,10	6,90	6,30	7,60	6,60	8,80	7,40
EP 25..	25	250	360 (14.173)	6,10	6,90	6,30	7,60	6,60	8,80	7,40
EP 45..	45	220	368 (14.488)	6,40	7,20	6,60	7,90	6,90	9,10	7,70

Reservoir								
Capacity	3 [ℓ]		5 [ℓ]		7 [ℓ]		10 [ℓ]	
Material	Plastic	Aluminm	Plastic	Aluminm	Plastic	Aluminm	Plastic	
B	mm	70	72,5	174	185	290	322,5	275
	(in)	(2.756)	(2.854)	(6.850)	(7.284)	(11.417)	(12.697)	(10.827)
C	mm	72,25	67,5	72,25	67,5	72,25	67,5	112
	(in)	(2.844)	(2.658)	(2.844)	(2.658)	(2.844)	(2.658)	(4.409)
D	mm	144,5	135	144,5	135	144,5	135	208
	(in)	(5.689)	(5.315)	(5.689)	(5.315)	(5.689)	(5.315)	(8.189)

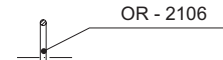
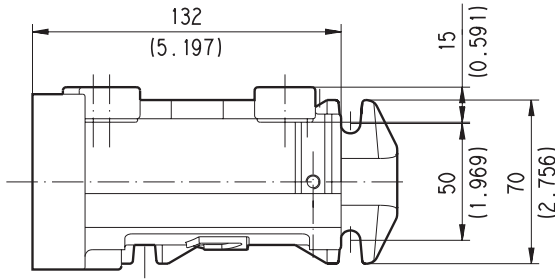
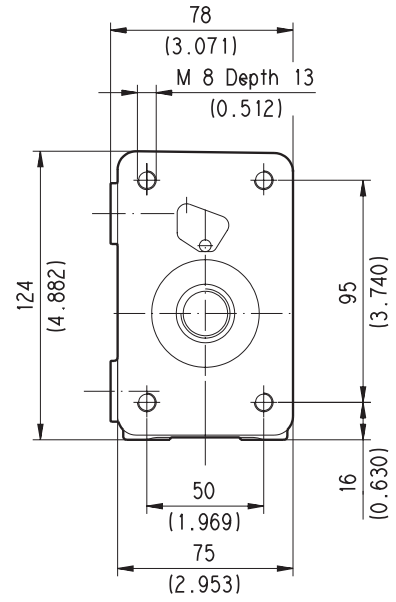
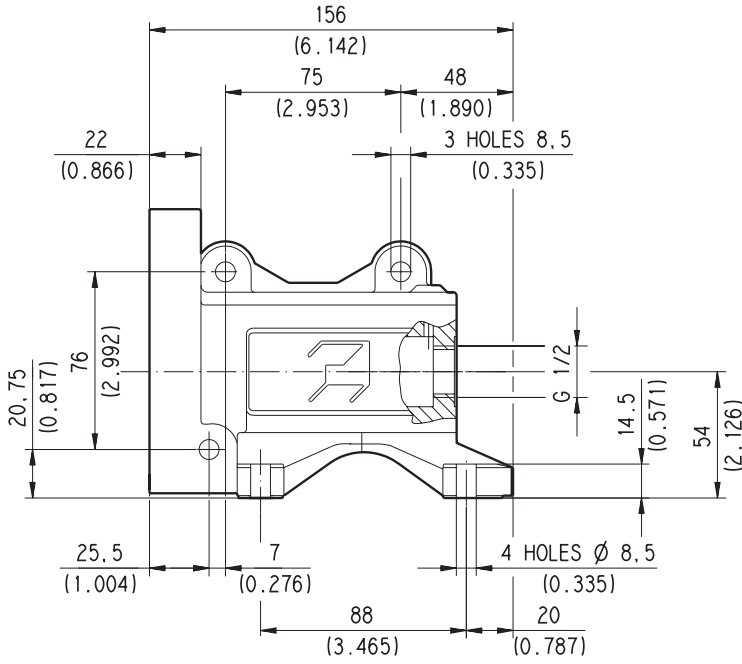
Hand pump with reservoir							
EP 12 (♦) /...	T3P	T3A	T5P	T5A	T7P	T7A	T10P
EP 25 (♦) /...	T3P	T3A	T5P	T5A	T7P	T7A	T10P
EP 45 (♦) /...	T3P	T3A	T5P	T5A	T7P	T7A	T10P

Hand pump with reservoir and relief valve V1 (standard setting 140 [bar])							
EP 12 (♦) V1/...	T3P	T3A	T5P	T5A	T7P	T7A	T10A
EP 25 (♦) V1/...	T3P	T3A	T5P	T5A	T7P	T7A	T10A
EP 45 (♦) V1/...	T3P	T3A	T5P	T5A	T7P	T7A	T10A

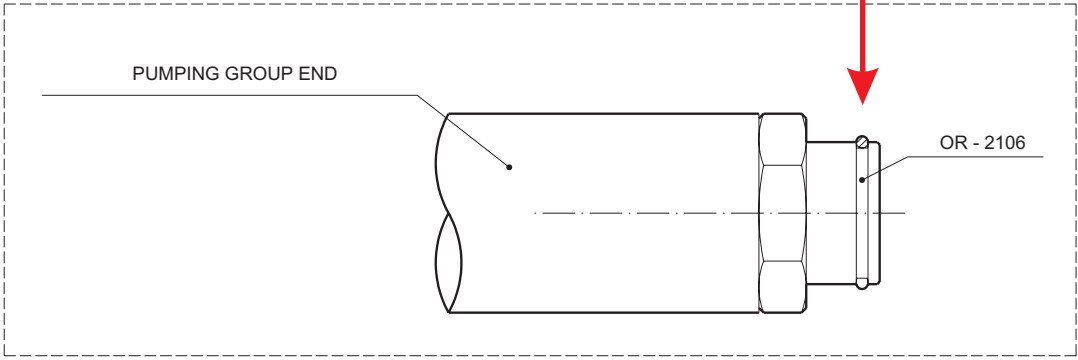
(♦) D= 4 way and 2 positions control valve - D1= 4 Way and 3 positions control valve

03/04.04

SUPPORT FOR HAND PUMPS WITHOUT RESERVOIR



Assemble the OR - 2106 to the pumping group end.



D032 - D29 / 0999

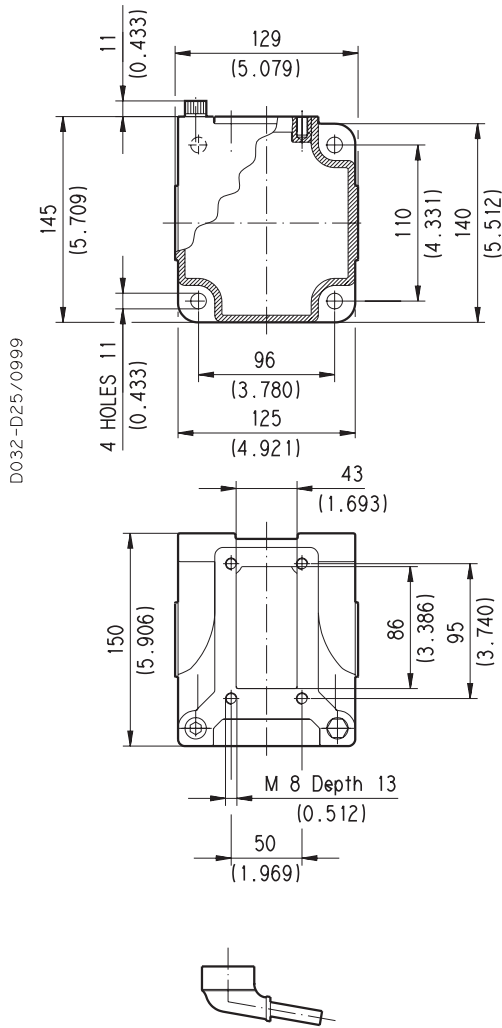
01/02.2000

How to order (*)	Material	Weight
		[kg]
T0A	Aluminm	1,30

(*) The ordering code includes the O-Ring seal.

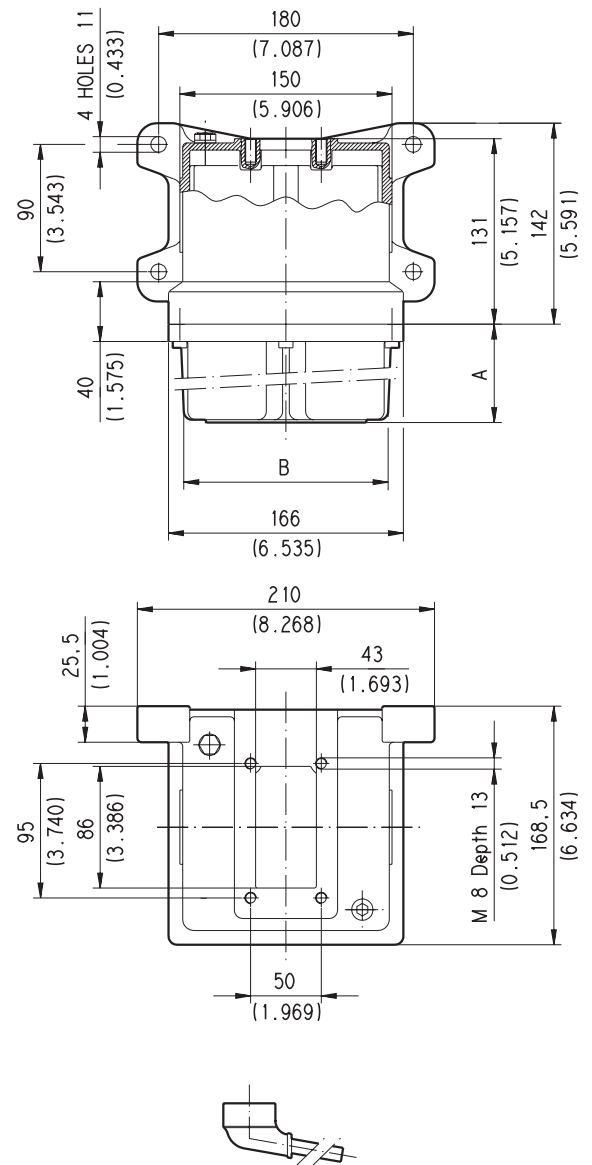
RESERVOIRS 1 - 2 - 3 - 5 - 7 LITERS CAPACITY

Replaces: 01/02.2000



D032-D25/0999

D032-D50/0404



03/04.04

Material	Weight
	[kg]
Aluminum	1,60

How to order (*)	Reservoir capacity
	[ℓ]
T1A	1

(*) The ordering code includes the suction kit.

(*) For top mounting order reservoir code T1A-SF.

How to order re (*)	Capacity [ℓ]	A		B		Weight	
		Plast.	Alum.	Plast.	Alum.	Plast.	Alum.
		mm (in)	mm (in)	mm (in)	mm (in)	[kg]	[kg]
T2	2	24,7 (0.972)	9,5 (0.374)	144,5 (5.689)	135 (5.315)	2,50	3,00
T3 P	3	70 (2.756)	72,5 (2.854)	144,5 (5.689)	135 (5.315)	2,60	3,40
T5 A	5	174 (6.850)	185 (7.284)	144,5 (5.689)	135 (5.315)	2,80	4,10
T7	7	290 (11.417)	322,5 (12.697)	144,5 (5.689)	135 (5.315)	3,10	5,30

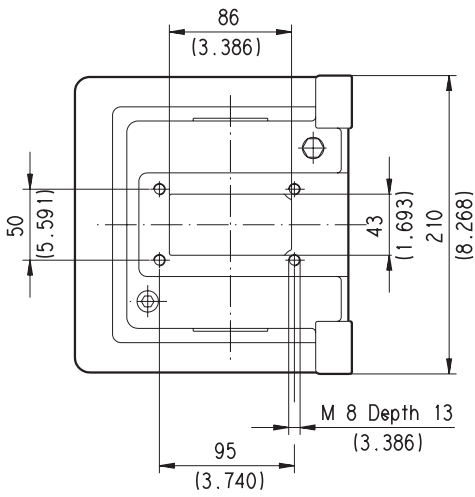
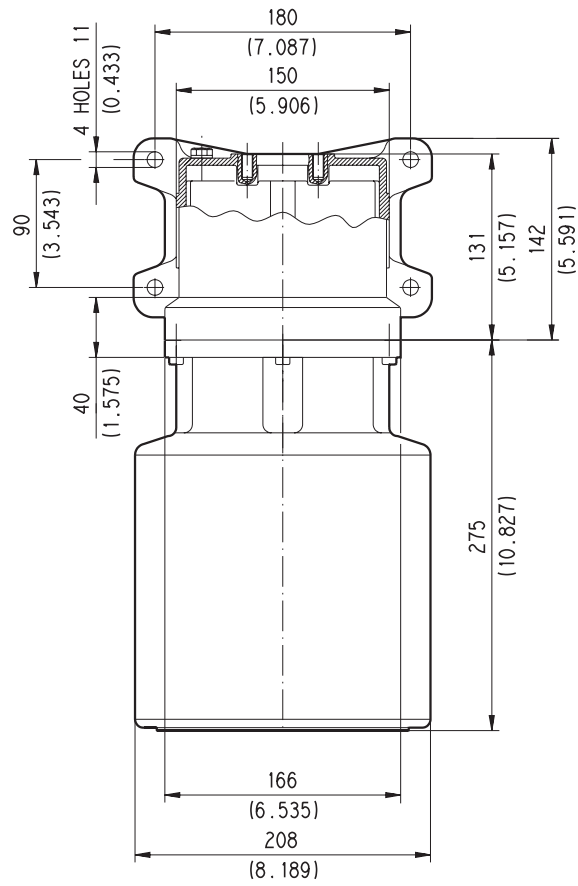
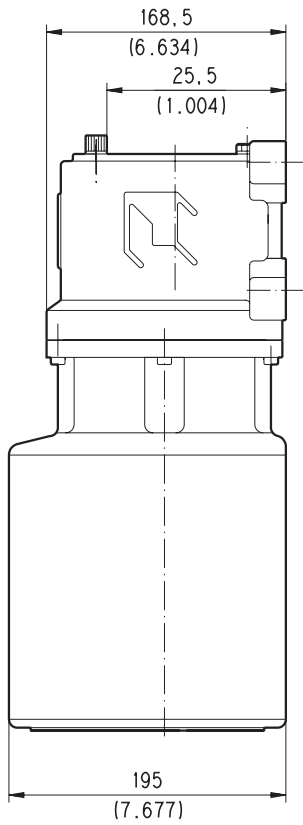
(*) The ordering code includes the suction kit.

(*) The base reservoir "SB" is aluminum, the cover is available in plastic or aluminum.

Order example of 5 liters reservoir in plastic material: T5P

To order the reservoir in aluminum replace the letter P with A: T5A

RESERVOIR 10 LITERS CAPACITY



D032-D27/0999

Replaces: 01/02.2000

03/04.04

How to order (*)	Material	Reservoir capacity	Weight
		[ℓ]	[kg]
T10P	Plastic	10	3,90

(*) The ordering code includes the suction kit.

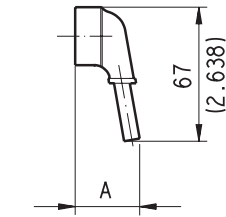
(*) The base reservoir "SB" is aluminum, the cover is available only in plastic or aluminum.

KIT AND ACCESSORIES

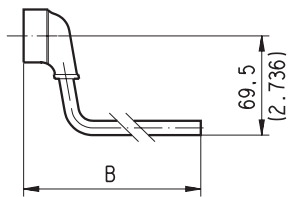
Suction kit

Replaces: 02/11.2000

D032-D35/0999



D032-D34/0999

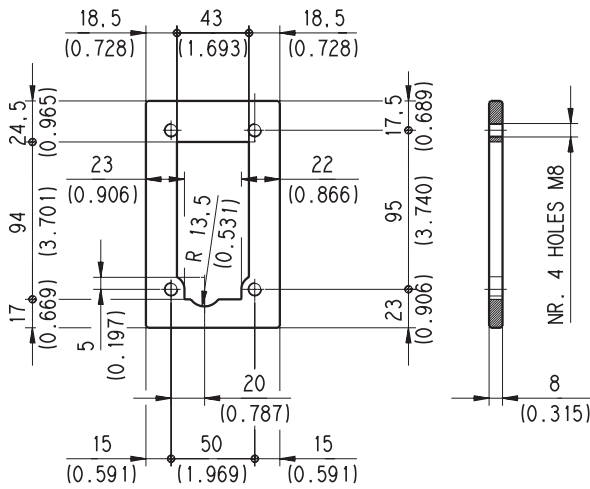


Reservoir capacity	How to order kit (*)	A	B
		mm (in)	mm (in)
1 [ℓ]	KT 02	41 (1.614)	
2 [ℓ]			
3 [ℓ]	KT 03		91 (3.583)
5 [ℓ]	KT 05		194 (7.638)
7 [ℓ]	KT 07		311 (12.244)
10 [ℓ]			

(*) The kit is complete with strainer

Mounting flange for attaching the pumping group to a customer reservoir

D032-D36/0999

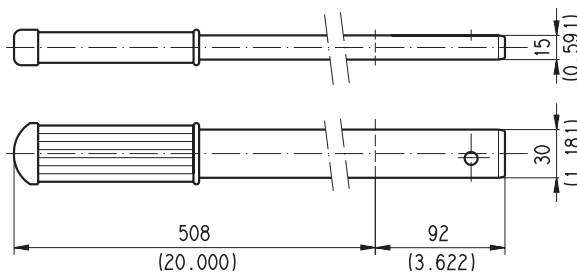


How to order
06004395

Lever

03/04.04

D032-D37/0999



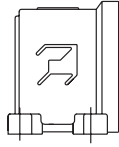
How to order (*)
06004390

(*) Different length lever are available on request

KIT AND ACCESSORIES

Base reservoir

D032-D45/0999



How to order	Material
SB	Aluminum

Cover kit for reservoir (cover, gasket, screws and suction kit)

Reservoir capacity [l]	How to order	
	Material	
	Plastic	Aluminum ○
2	C2P D032-D44/0404 	C2A D032-D55/0404
3	C3P D032-D46/0404 	C3A D032-D56/0404
5	C5P D032-D47/0404 	C5A D032-D57/0404
7	C7P D032-D48/0404 	C7A D032-D58/0404
10	C10P D032-D49/0404 	○

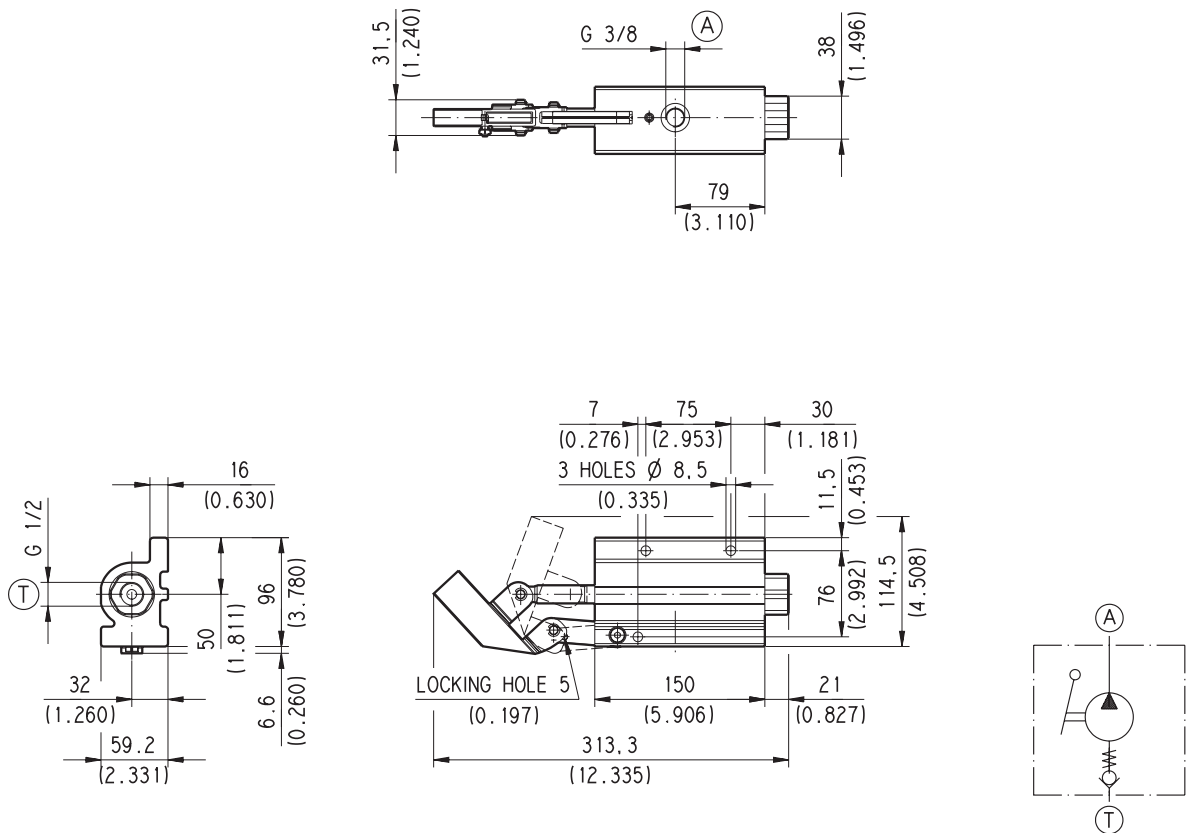
Replaces: 02/11.2000

○ 03/04.04

**EP 25 W/TXA
EP 25 W-../TXA**

**HAND PUMPS WITHOUT RESERVOIRS WITH ALUMINIUM BODY
SIMPLIFIED VERSION**

D032-D51/1102



Lever

How to order (*)

06004392

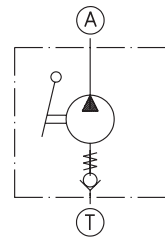
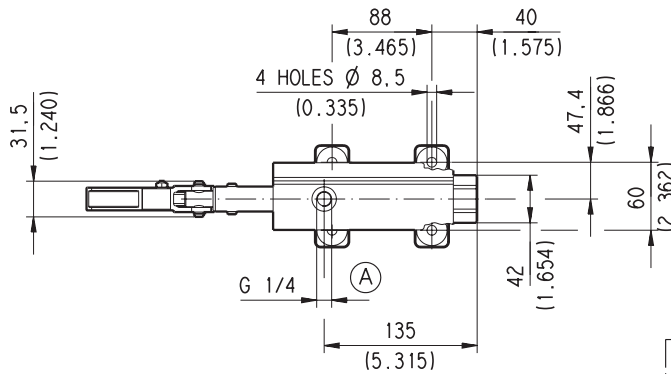
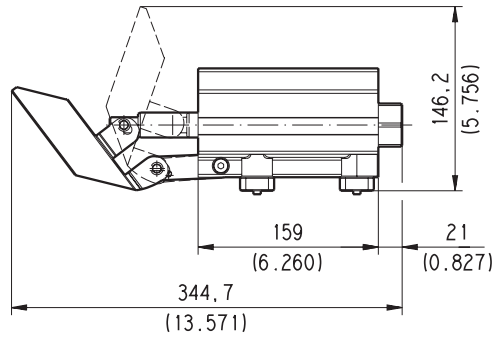
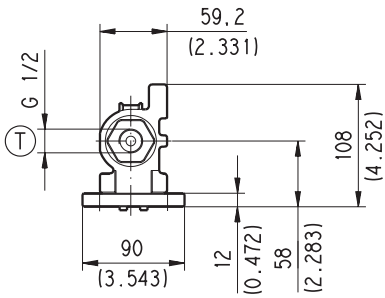
(*) A richiesta sono disponibili leve di lunghezze diverse

03/04.04

How to order	Displacement	Max. pressure	Weight
	[cm ³ /cycle]	[bar]	[kg]
EP 25 W /TXA	25	250	2,36
EP 25 W /TXA	Standard - Body without treatment		
EP 25 W - R /TXA	Body with anodizing red		
EP 25 W - B /TXA	Body with anodizing black		

**EP 45 W/TXA
EP 45 W-../TXA**

**HAND PUMPS WITHOUT RESERVOIRS WITH ALUMINIUM BODY
SIMPLIFIED VERSION**



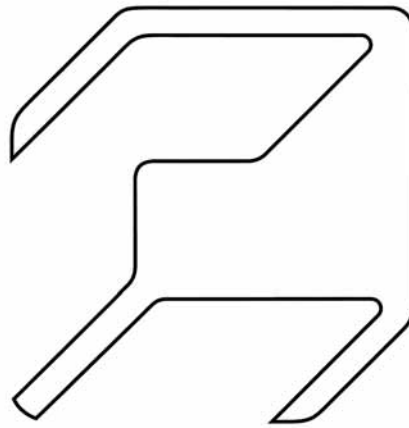
D032-D52/1102

Requires the lever code 06004390

How to order	Displacement	Max. pressure	Weight
	[cm ³ /cycle]	[bar]	[kg]
EP 45 W /TXA	45	220	3,00
EP 45 W /TXA	Standard - Body without treatment		
EP 45 W - R /TXA	Body with anodizing red		
EP 45 W - B /TXA	Body with anodizing black		

03/04.04

Our policy is one of continuous improvement in product. Specification of items may, therefore, be changed without notice.



CASAPPA®

FLUID POWER DESIGN

CASAPPA S.p.A. - Parma - Italy - Tel.: (+ 39) 0521 304111 - Fax: (+ 39) 0521 804600

CASAPPA Corp. - Batavia, IL 60510 U.S.A. - Phone: 630 761-0041 - Fax: 630 761-0048

CASAPPA GmbH - Stuttgart - Germany - Tel.: + 49 711 7811770 - Fax: + 49 711 7811771

CASAPPA SARL - Janneyrias - France - Tel.: + 33 4 72462112 - Fax: + 33 4 72462100

<http://www.casappa.com>
e-mail: info@casappa.com