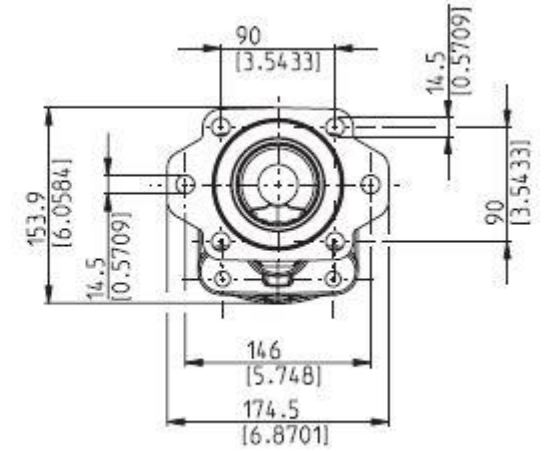
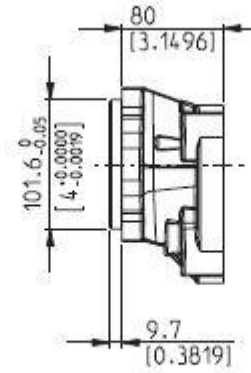


SAE "B" 2-4 HOLES

S3

Conforms to SAE J744

DCAT_006_009_23263607



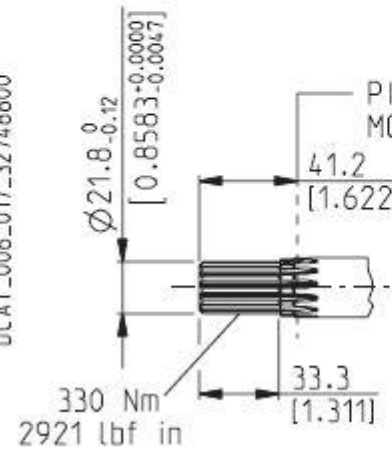
Pump type Motor type	Displacement	Max. pressure			Max. speed	Min. speed
		p ₁	p ₂	p ₃		
	in ³ /rev (cm ³ /rev)	psi (bar)			min ⁻¹	
K. 30•22	1.34 (21,99)	4060 (280)	4350 (300)	4495 (310)	3000	350
K. 30•27	1.63 (26,7)	4060 (280)	4350 (300)	4495 (310)	3000	350
K. 30•31	1.87 (30,63)	3770 (260)	4060 (280)	4350 (300)	3000	350
K. 30•34	2.11 (34,56)	3770 (260)	4060 (280)	4350 (300)	3000	350
K. 30•38	2.40 (39,27)	3770 (260)	4060 (280)	4350 (300)	3000	350
K. 30•41	2.54 (41,62)	3625 (250)	3915 (270)	4205 (290)	3000	350
K. 30•43	2.68 (43,98)	3625 (250)	3915 (270)	4205 (290)	3000	350
K. 30•46	2.83 (46,34)	3625 (250)	3915 (270)	4205 (290)	3000	350
K. 30•51	3.16 (51,83)	3335 (230)	3625 (250)	3915 (270)	2500	350
K. 30•56	3.45 (56,54)	3118 (215)	3408 (235)	3698 (255)	2500	350
K. 30•61	3.74 (61,26)	2900 (200)	3190 (220)	3480 (240)	2500	350
K. 30•73	4.50 (73,82)	2610 (180)	2900 (200)	3190 (220)	2500	350

SAE "B" SPLINE

04

Mounting face refer to flange code **S5**

DCAT_006_017_32748600



PIANO DI MONTAGGIO
MOUNTING FACE

Ext. Involute Spline SAE J498B
with major diameter modified
13 teeth - 16/32 Pitch - 30 deg
Flat Root - Side fit - Class 1